

**BENEFITS:**

- Lasts longer in various kinds of small portable electronic devices



**APPLICATIONS BEST FOR:**



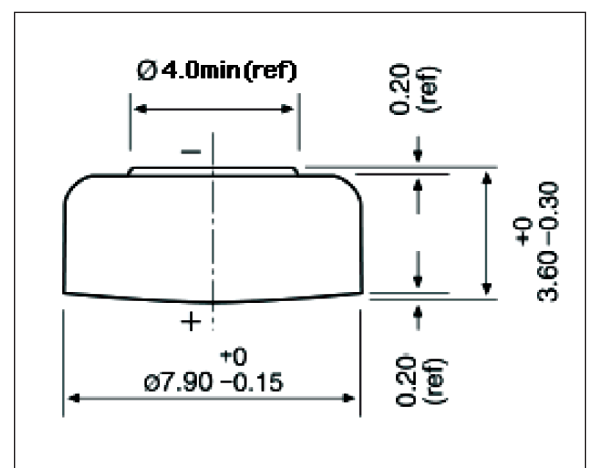
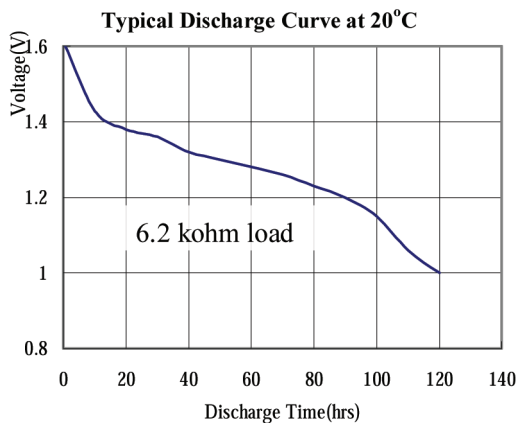
- GP Alkaline Cell Battery
- 1.5 Volts

**Other Details:**

- Mercury Free Zinc / Manganese Dioxide chemistry
- Button cell type
- Average weight: 0.5g

**CROSS REFERENCES:**

GP	IEC/Sony	Energizer
192F	LR41	192Z



Unit : mm